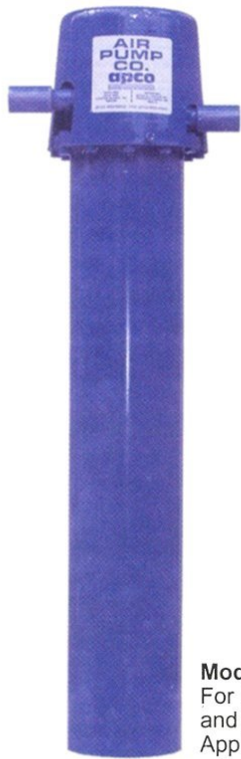


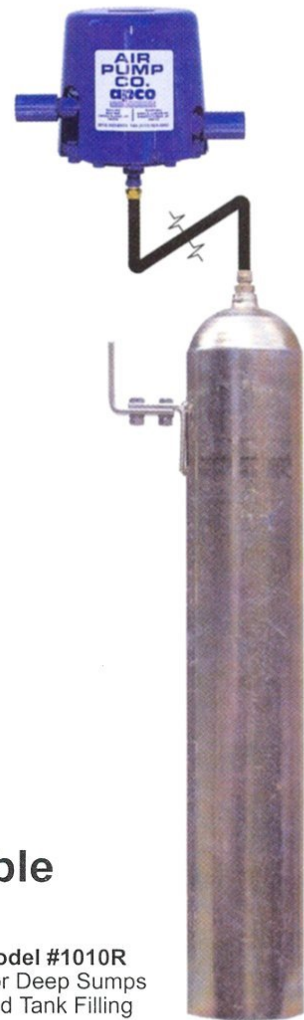
# AIR PUMP CO. VALVE #1010



Model #1010  
For Shallow Sumps  
and Submerged Pump  
Applications

## FLOATLESS NON ELECTRIC LEVEL CONTROL FOR AIR OPERATED PUMPS

- Control Pumps In Sumps as Shallow as 12"
- Fill Overhead Tanks
- Control Pinch Valves, Cylinders and Other Pneumatic Equipment
- Packaged Systems Available



Model #1010R  
For Deep Sumps  
and Tank Filling

## BENEFITS:

### ■ ENERGY SAVING

Reliable On-Off Control of Air Driven Pumps Conserves Costly Compressed Air and Saves Pump Parts

### ■ NON BUBBLING

Design Eliminates Constant 24 hr./day Usage of Instrument Air.

### ■ RELIABLE

No Moving Parts in Contact with the Liquid Being Sensed -Thousands of Units in Use Since 1978.

### ■ FLOATLESS

Works in Foamy "Gunky" Turbulent Areas Where Other Controls Fail. Operates on any Liquid that will Rise and Fall by Gravity in the 4" Sensing Tube.

### ■ NON ELECTRIC

No Costly Wiring - One Trade Installs and Services.

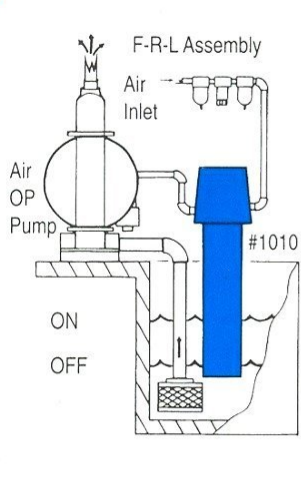
### ■ EXPLOSION RESISTANT

All Pneumatic Design Allows Use in Hazardous Areas.

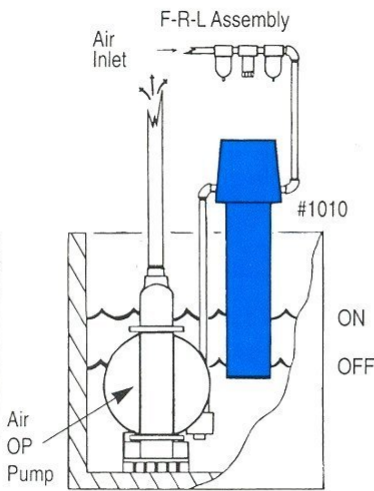
### ■ FREQUENT CYCLING

Pumps Away Suspended Materials Before They Settle and Harden.

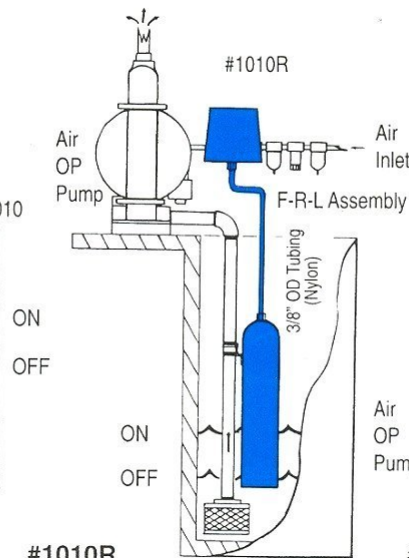
# TYPICAL APPLICATIONS



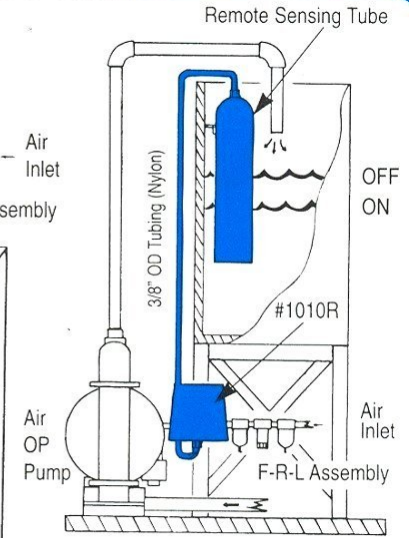
**#1010 CONTROLLING PUMP - SHALLOW SUMP APPLICATION**



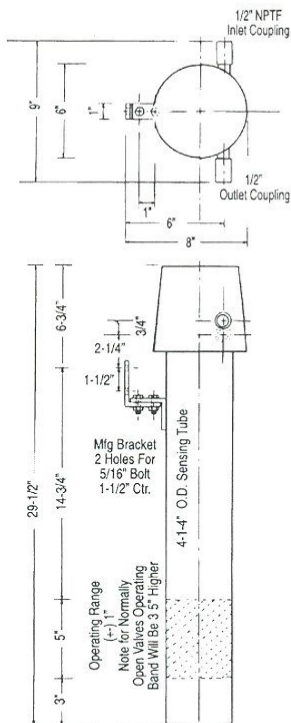
**#1010 CONTROLLING SUBMERGED PUMP APPLICATION**



**#1010R DEEP SUMP APPLICATION**



**#1010R (NORMALLY OPEN) ELEVATED TANK FILLING APPLICATION**



Certified Dimension Drawing  
**Model #1010**

## SPECIFICATIONS:

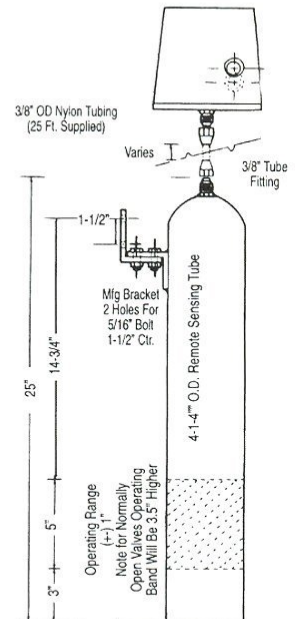
- Controls Filtered, Lubricated Compressed Air @ 40-125 PSIG
- Temperature Range - 35° - 180°F.
- Valve Size - 1/2" NPT
- Valve Type - Air Pilot Operated, 3-way
- Maximum Flow - 125 CFM @ 125 PSIG
- On - Off differential - 5" WC Std., Consult Factory For Others

## OPERATION:

The diaphragm (in the upper valve head section) is raised by pressure created by water rising in the sensing tube. When the full differential is reached, the pilot valve is tripped, operating the main 1/2" valve - starting or stopping the pump.

## ORDERING INFORMATION:

- Select Model #1010 or Model #1010R.
- Specify Sensing Tube Material (Only Wetted Part). Mild Steel is Standard, PVC or 316 SS. Optional.
- Select Diaphragm, Buna N is Standard, Teflon is Optional, (Diaphragm is not a wetted part).



Certified Dimension Drawing  
**Model #1010R**



**PHOENIX PUMPS, INC.**

3552 E. Corona • Phoenix, AZ 85040 • Phone: 602.232.2994 • Fax: 602.232.2995

[www.phoenixpumps.com](http://www.phoenixpumps.com)