



A Met-Pro Fluid Handling Technologies Business
Combining the Resources of Dean Pump, Fybroc & Sethco

FYBROC® NM WSB SERIES

ALL NON-METALLIC VALVES FOR CORROSIVE APPLICATIONS



Fybroc® Wafer Style Butterfly Valves

BULLETIN WSB 1



WORKING PRESSURE VS. TEMPERATURE

NM WSB VALVE • BODY – PP-BLACK / DISC – PVDF / SEAT – VITON®

SIZE	TEMPERATURE RANGE		
	7.5° F – 140° F (-14° C – 60° C)	141° F – 175° F (60.5° C – 79.5° C)	176° F – 200° F (80° C – 93° C)
1.5" – 6" (40-150 mm)	150 PSI (10.3 bar)	100 PSI (6.9 bar)	90 PSI (6.2 bar)
8", 10" (200, 250 mm)	150 PSI (10.3 bar)	85 PSI (5.9 bar)	80 PSI (5.5 bar)
12" (300 mm)	110 PSI (7.6 bar)	55 PSI (3.8 bar)	50 PSI (3.4 bar)

NOTE: For other disc and seat material combinations, **Consult Factory** for pressure vs. temperature ratings.

C_v VALUES

NOMINAL SIZE		C _v (AT VARIOUS OPENING DEGREES)		
IN	MM	30	60	90
1.5	40	4	43	71
2	50	7	73	120
3	80	18	183	300
4	100	28	287	470
6	150	66	671	1100
8	200	150	1525	2500
10	250	232	2355	3860
12	300	342	3477	5700

SPECIFICATIONS

- **Sizes:** **Lever:** 1.5" – 6" (40 – 150 mm)
Gear: 1.5" – 12" (40 – 300 mm)
- **Model:** Wafer Style
- **Operators:** Lever & Gear
- **Body:** Proprietary Fybroc®
Black Polypropylene (PP) – ANSI**
- **Disc:** Polyvinylidene Fluoride* (PVDF)
- **Seat:** Viton®*
- **Seal:** Same as Seat Material
- **Stem:** 316 SS*

* These materials are standard. **Consult Factory** for other materials available as options.

** **Consult Factory** for JIS and DIN configurations.

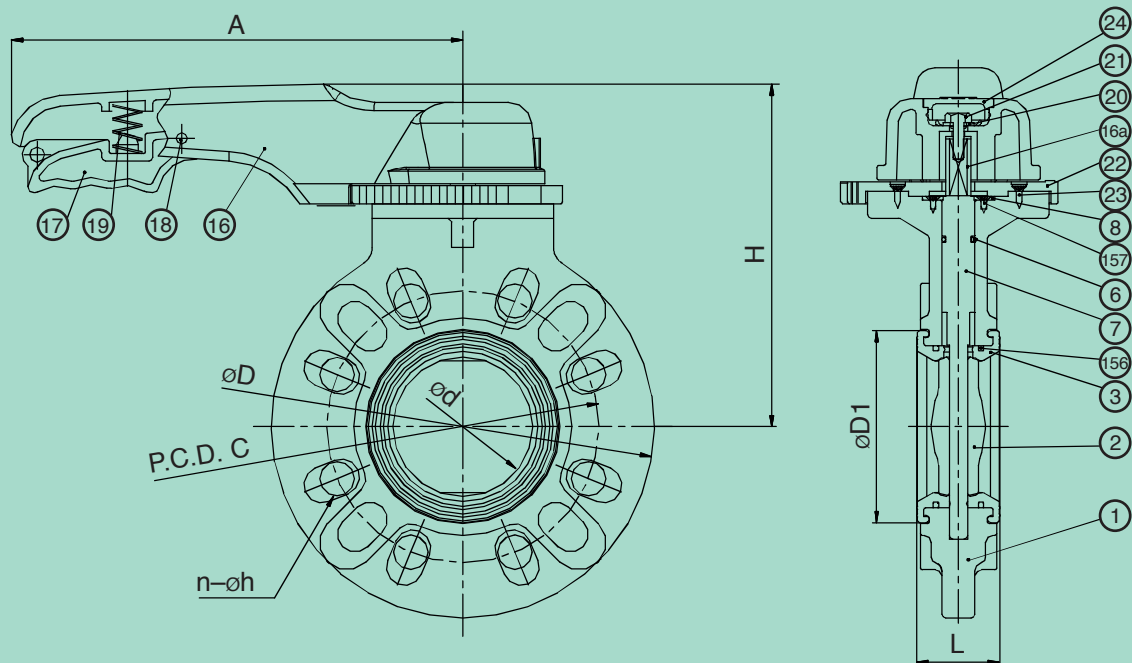
STANDARD FEATURES

Sizes 1.5" – 12" (40 – 300 mm)

- Standard model (1.5" – 12" / 40 – 300 mm) has a black polypropylene body and polyvinylidene fluoride disc for superior chemical resistance and temperature capability
- 316 stainless steel shaft has full engagement over the entire length of the disc and is a non-wetted part
- Only solid plastic disc and elastomeric liner are wetted parts
- Stem retainer – polypropylene retainer to prevent stem removal
- Seat over tightening protection – molded body stops and seat stress relief area
- Spherical disc design offers increased Cv, ultimate sealing and high cycle life
- 18 position throttle plate for lever handle style



NM WSB – LEVER OPERATED BUTTERFLY VALVES



DIMENSIONS TABLE

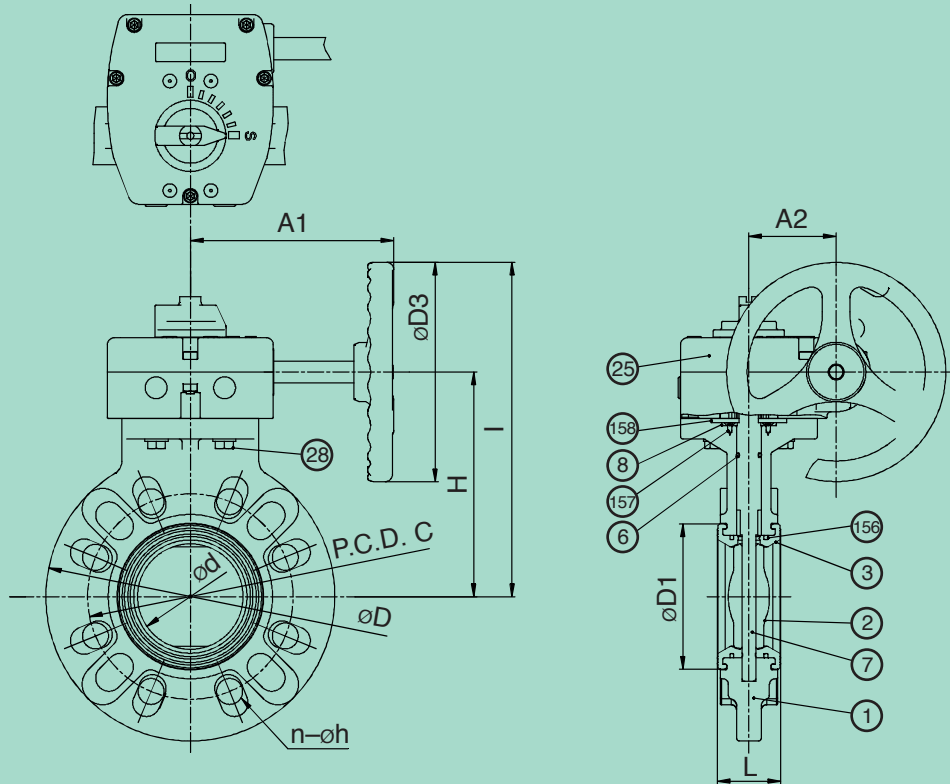
NOMINAL SIZE	d	ANSI CLASS 150			D	D1	L	H	A
		C	n	h					
1.5 (40)	1.77 (45)	3.88 (99)	4	0.62 (16)	5.91 (150)	2.83 (72)	1.54 (39)	6.14 (156)	8.66 (220)
2 (50)	2.20 (56)	4.75 (121)	4	0.75 (19)	6.50 (165)	3.23 (82)	1.65 (42)	6.54 (166)	8.66 (220)
3 (80)	3.03 (77)	6.00 (152)	4	0.75 (19)	8.31 (211)	4.17 (106)	1.81 (46)	7.52 (191)	9.84 (250)
4 (100)	4.02 (102)	7.50 (191)	8	0.75 (19)	9.37 (238)	5.31 (135)	2.20 (56)	8.11 (206)	9.84 (250)
6 (150)	5.91 (150)	9.50 (241)	8	0.88 (22)	11.22 (285)	7.52 (191)	2.80 (71)	9.92 (252)	12.60 (320)

DIMENSIONS SHOWN ARE IN INCHES AND (MILLIMETERS).

PARTS LIST (LEVER: SIZES 1.5" – 6" / 40 – 150 mm)

PARTS							
NO.	DESCRIPTION	PCS.	MATERIAL	NO.	DESCRIPTION	PCS.	MATERIAL
1	Body	1	PP	18	Pin	1	Glass Filled PP
2	Disc	1	PVDF	19	Spring	1	Stainless Steel 304
3	Seat	1	Viton®	20	Washer	1	Stainless Steel 304
6	O-Ring	1	Viton®	21	Bolt	1	Stainless Steel 304
7	Stem	1	Stainless Steel 316	22	Locking Plate	1	Glass Filled PP
8	Stem Retainer	1	PP	23	Screw	4	Stainless Steel 304
16	Handle	1	PP	24	Cap	1	PP
16A	Metal Insert in Handle	1	Stainless Steel 316	156	Liner Stabilization Ring	2	Stainless Steel 304
17	Handle Lever	1	Glass Filled PP	157	Screw	4	Stainless Steel 304

NM WSB – GEAR OPERATED BUTTERFLY VALVES



DIMENSIONS TABLE

NOMINAL SIZE	d	ANSI CLASS 150			D	D1	D3	L	H	I	A1	A2
		C	n	h								
1.5 (40)	1.77 (45)	3.88 (99)	4	0.62 (16)	5.91 (150)	2.83 (72)	6.30 (160)	1.54 (39)	5.12 (130)	8.27 (210)	6.57 (167)	2.52 (64)
2 (50)	2.20 (56)	4.75 (121)	4	0.75 (19)	6.50 (165)	3.23 (82)	6.30 (160)	1.65 (42)	5.51 (140)	8.66 (220)	6.57 (167)	2.52 (64)
3 (80)	3.03 (77)	6.00 (152)	4	0.75 (19)	8.31 (211)	4.17 (106)	6.30 (160)	1.81 (46)	6.50 (165)	9.65 (245)	6.57 (167)	2.52 (64)
4 (100)	4.02 (102)	7.50 (191)	8	0.75 (19)	9.37 (238)	5.31 (135)	6.30 (160)	2.20 (56)	7.09 (180)	10.24 (260)	6.57 (167)	2.52 (64)
6 (150)	5.91 (150)	9.50 (241)	8	0.88 (22)	11.22 (285)	7.52 (191)	6.30 (160)	2.80 (71)	8.27 (210)	11.42 (290)	6.57 (167)	2.52 (64)
8 (200)	7.68 (195)	11.75 (298)	8	0.88 (22)	13.29 (338)	9.53 (242)	6.30 (160)	3.43 (87)	9.49 (241)	12.64 (321)	6.57 (167)	2.52 (64)
10 (250)	9.84 (250)	14.25 (362)	12	1.00 (25)	16.57 (421)	11.89 (302)	6.30 (160)	4.33 (110)	10.87 (276)	14.02 (356)	6.57 (167)	2.52 (64)
12 (300)	11.93 (303)	17.00 (432)	12	1.00 (25)	19.21 (488)	14.17 (360)	11.81 (300)	5.08 (129)	13.39 (340)	19.29 (490)	10.71 (272)	3.90 (99)

DIMENSIONS SHOWN ARE IN INCHES AND (MILLIMETERS).

PARTS LIST (GEAR: SIZES 1.5" – 12" / 40 – 300 mm)

PARTS							
NO.	DESCRIPTION	PCS.	MATERIAL	NO.	DESCRIPTION	PCS.	MATERIAL
1	Body	1	PP	25	Gear Box	1	Composite Plastic
2	Disc	1	PVDF	28	Bolt	4	Stainless Steel 304
3	Seat	1	Viton®	156	Liner Stabilization Ring	2	Stainless Steel 304
6	O-Ring	1	Viton®	157	Screw	4	Stainless Steel 304
7	Stem	1	Stainless Steel 316	158	Gasket	1	EPDM
8	Stem Retainer	1	Glass Filled PP				

*The world's most complete line
of pumps for handling corrosive
and other difficult liquids*



All photos are for marketing purposes only. Orientation of gear box, indicator and handle on gear operated valves may not be representative of typical installation and/or operation.

ABOUT MET-PRO GLOBAL PUMP SOLUTIONS

Met-Pro Global Pump Solutions, which combines the resources of the Company's internationally recognized Dean Pump[®], Fybroc[®] and Sethco[®] brands, is a leading niche-oriented global provider of solutions and products for the pumping of corrosive, abrasive and high temperature liquids. Its broad range of high quality centrifugal pumps provide excellent performance for tough applications including pumping of acids, brines, caustics, bleaches, seawater, high temperature liquids and a wide variety of waste liquids for a broad range of applications including the chemical, petrochemical, metal finishing, wastewater treatment, desalination and aquarium/aquaculture markets. For more information, visit www.mp-gps.com

ABOUT MET-PRO

Met-Pro Corporation is a global provider of solutions and products for product recovery, pollution control and fluid handling applications. The Company's products include filtration and purification equipment for air, water and harsh, corrosive applications; fluid handling equipment for water, corrosive, abrasive, and high temperature liquids; and proprietary water treatment chemicals. For more information, visit www.met-pro.com.



A Met-Pro Fluid Handling Technologies Business
Combining the Resources of Dean Pump, Fybroc & Sethco

700 Emlen Way • Telford, PA 18969
P: 215.723.8155 • TOLL-FREE: 800.FYBROC.1 • F: 215.723.2197
info@mp-gps.com • www.mp-gps.com



ASSOCIATION
OF ZOOS &
AQUARIUMS &
SPECIALISTS



© 2012 MET-PRO CORPORATION
FYBROC[®] IS A REGISTERED TRADEMARK OF MET-PRO CORPORATION 08-5006 712

