



**SHOWN WITH OPTIONAL THROUGH HOLE
IN MOUNTING PLATE AND DISCHARGE
PIPE ASSEMBLY**

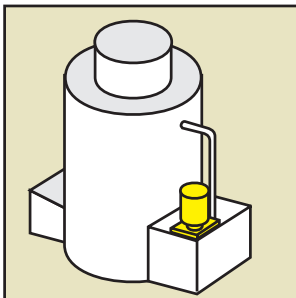
HIGH EFFICIENCY AND LOW ENERGY USAGE FOR:

PLATING / WET PROCESSING / ACIDS CHEMICALS / FUME SCRUBBERS and CLEANING SOLUTIONS

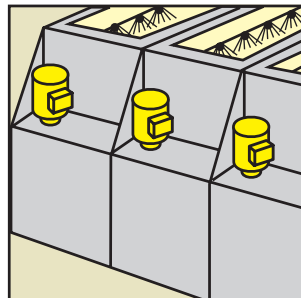
- **Flows to 185 U.S. GPM or 145 FT. TDH @ 60 Hz**
(580 LPM or 31m @ 50 Hz)
- **Non-metallic solution contact**
- PPP high temperature polypropylene construction, CPVC,
PVDF or ECTFE-T
(Refer to a chemical resistance chart)
- **Shaft vapor seal protects motor bearing and atmo-
sphere**
- **Runs dry — no bearings**
Chemical duty motor (1.0 - 7.5 HP)
Sealed oversized bearings, cast iron end bells with
vapor seal, corrosion resistant epoxy enamel finish,
stainless steel nameplate. Dual 50/60 Hz. Service factor
1.15 at 60 Hz., 1.0 at 50 Hz
- **Centrifugal — quiet, vibration-free**
- **In- or out-of-tank installation**
- **Choice of 12" or 18" column**
- **NPT or BSP connections**

The Series 'EH' Sump Pump features a cantilevered, sleeved, stainless steel shaft with vapor seal between the rotating shaft and the support column to further protect the motor. The cantilevered shaft eliminates bearings and conventional pump seals, resulting in a pump that can run dry without damage. A compound impeller prevents liquid from rising in the column, even at maximum TDH, while the fully-enclosed bottom impeller provides high hydraulic

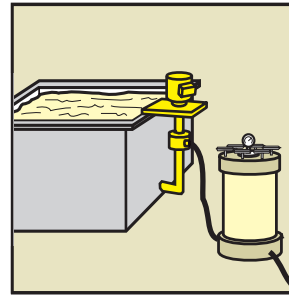
efficiency at low horsepower. A unique characteristic of all Series 'EH' pumps is their ability to lift solution with an optional suction extension pipe installed. With the motor energized, the pump will self-prime when liquid is at impeller level. The solution level will then be pumped down to the end of the suction extension to a maximum depth of 9 ft. (2.7m). The pump will lose prime, then automatically re-prime when liquid again reaches the impeller.*



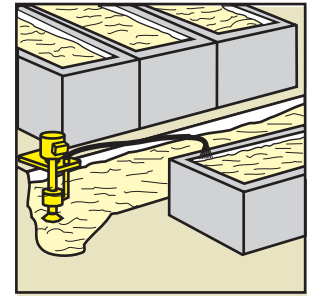
FUME SCRUBBING



**PCB WET
PROCESSING**



**OUT-OF-TANK PUMPING
AND FILTRATION**



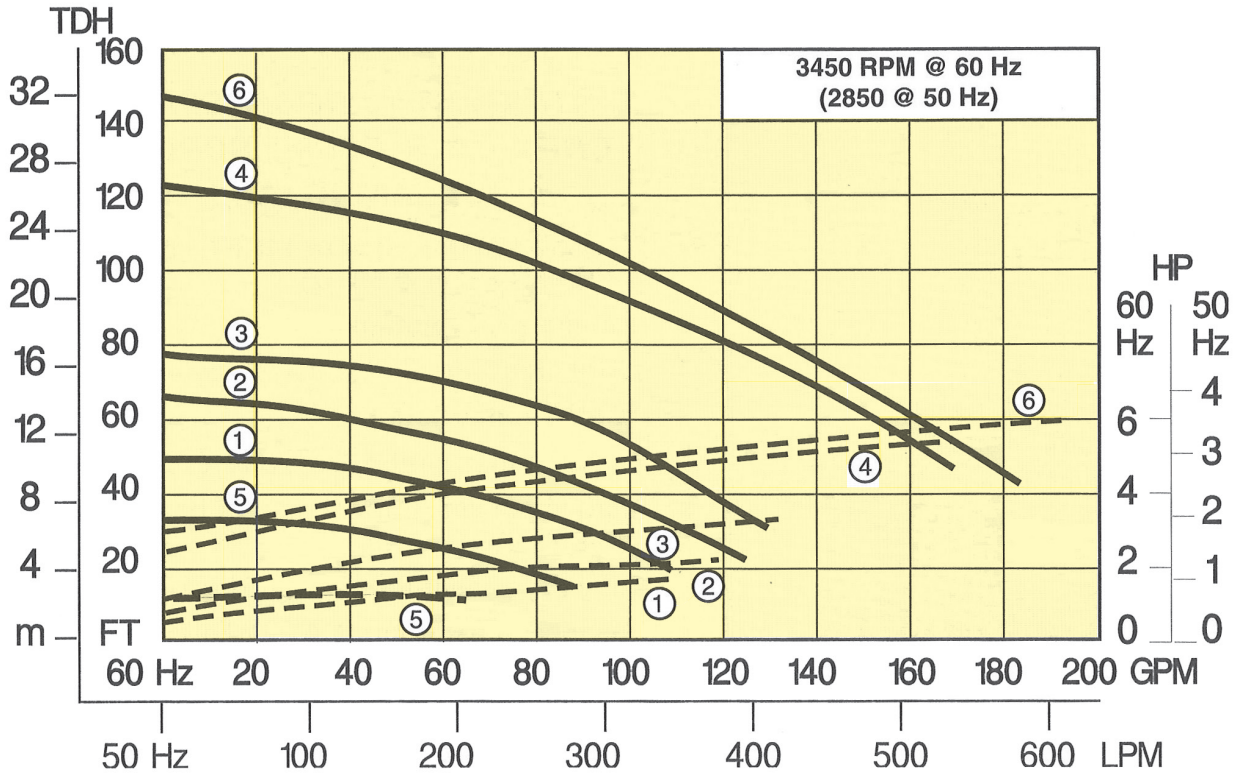
**SUMP DRAINING AND
WASTE TREATMENT**

* Read: "Tips for the successful operation of sump pumps", Technical Bulletin TP-113

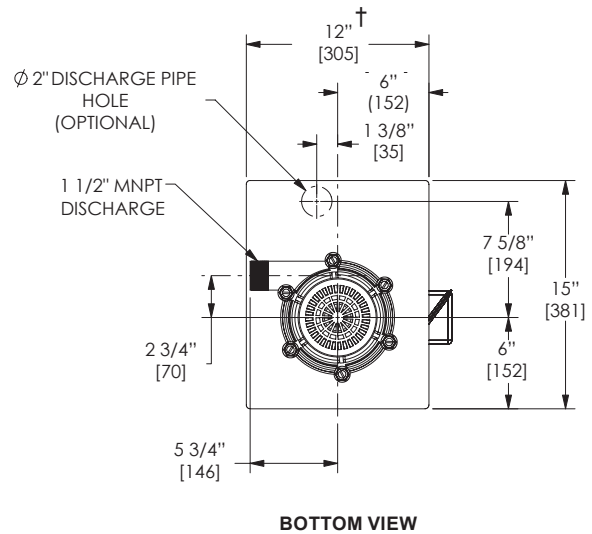
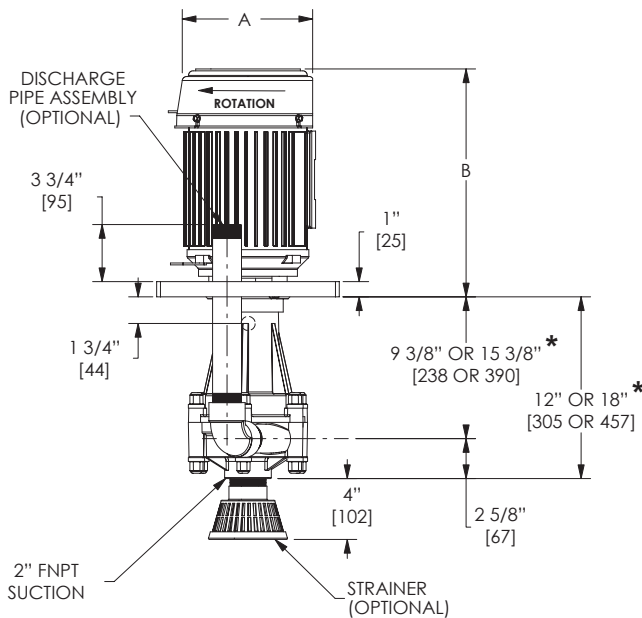


SERIES 'EH' | VERTICAL PUMPS

2900 MacArthur Blvd. Northbrook, IL. USA 60062 www.serfilco.com (800) 323 - 5431



DIMENSIONS - Inches (mm)



† The standard 12" x 15" (305 x 381 mm) mounting plate for CPVC, polypropylene and ECTFE-T pumps is shown. PVDF pumps have an 11-3/4" x 11-3/4" (298 x 298 mm) mounting plate.

* 15-3/8" and 18" dimensions are for the LX models



SERIES 'EH' | VERTICAL PUMPS

2900 MacArthur Blvd. Northbrook, IL. USA 60062 www.serfilco.com (800) 323 - 5431

Pump models are constructed of CPVC, PPP polypropylene, PVDF, or ECTFE-T with sleeved stainless steel shaft. Mounting plate is 1" (25mm) thick and includes PTFE vapor seal. Standard "O"-rings are EPDM (ethylenepropylene) on CPVC and Halar® pumps and Viton® on polypropylene and PVDF pumps. Impeller is fully enclosed for maximum efficiency, compound design with pressure plate.

Assembly offers non-metallic solution contact. Chemical duty motors are 1 or 3 phase, TEFC, 50 or 60 Hz, 3450 or 2850 or 1725 or 1450 RPM, NEMA "C" face, painted with two-part epoxy enamel. May be used with up to a 9 ft. (2.7m) suction extension under certain conditions. The pump discharge orientation can be relocated in increments of 60°.

TO ORDER, use Price Code Number

For standard CPVC, PP, PVDF and Halar® (ECTFE) pump-motor combination, select model from TABLE I.
For other pump-motor combinations, select from components in TABLE II.

Select flow curve number providing the desired performance. Then match to Model Numbers listed below.
Motor HP is non-overloading at full capacity.

60 Hz MODELS						
FLOW CURVE NO.	MODEL NUMBER	PRICE CODE NO.	MODEL NUMBERS	Price Code No.	MODEL NUMBER	Price Code No.
	CPVC		Polypropylene		PVDF	
1	EH 1-1/2-1SC-D1.5	45-0112	EHP 1-1/2-1SC-D1.5	45-0612	EHK 1-1/2-1SC-D1.5	45-0712
2	EH 1-1/2-2SC-D2.0	45-0123	EHP 1-1/2-2SC-D2.0	45-0623	EHK 1-1/2-2SC-D2.0	45-0723
3	EH 1-1/2-3SC-D3.0	45-0134	EHP 1-1/2-3SC-D3.0	45-0634	EHK 1-1/2-3SC-D3.0	45-0734
4	EH 1-1/2-4SC-D5.0	45-0145	EHP 1-1/2-4SC-D5.0	45-0645	EHK 1-1/2-4SC-D5.0	45-0745
5	EH 1-1/2-5SC-H1.5	45-0159	EHP 1-1/2-5SC-H1.5	45-0659	EHK 1-1/2-5SC-H1.5	45-0759
6	EH 1-1/2-5SC-D7.5	45-0156	EHP 1-1/2-5SC-D7.5	45-0656	EHK 1-1/2-5SC-D7.5	45-0756

60 Hz			50 Hz MODELS			
FLOW CURVE NO.	MODEL NUMBER	PRICE CODE NO.	MODEL NUMBERS	PRICE CODE NO.	MODEL NUMBER	PRICE CODE NO.
	ECTFE-T		CPVC		POLYPROPYLENE	
1	EHH 1-1/2-1SC-D1.5	45-1912	EH 1-1/2-1SC-D1.0 (.75kW)	45-0111	EHP 1-1/2-1SC-D1.0 (.75 kW)	45-0611
2	EHH 1-1/2-2SC-D2.0	45-1923	EH 1-1/2-2SC-D1.5 (1.1kW)	45-0122	EHP 1-1/2-2SC-D1.5 (1.1 kW)	45-0622
3	EHH 1-1/2-3SC-D3.0	45-1934	EH 1-1/2-3SC-D2.0 (1.5kW)	45-0133	EHP 1-1/2-3SC-D2.0 (1.5 kW)	45-0633
4	EHH 1-1/2-4SC-D5.0	45-1945	EH 1-1/2-4SC-D3.0 (2.2kW)	45-0144	EHP 1-1/2-4SC-D3.0 (2.2 kW)	45-0644
5	EHH 1-1/2-5SC-H1.5	45-1959	EH 1-1/2-5SC-D1.5 (1.1kW)	45-0159	EHP 1-1/2-5SC-H1.5 (1.1 kW)	45-0659
6	EHH 1-1/2-5SC-D7.5	45-1956	EH 1-1/2-5SC-D5.0 (3.7kW)	45-0155	EHP 1-1/2-5SC-D5.0 (3.7 kW)	45-0655

50 Hz MODELS				
FLOW CURVE NO.	MODEL NUMBER	PRICE CODE NO.	MODEL NUMBERS	PRICE CODE NO.
	PVDF		ECTFE-T	
1	EHK 1-1/2-1SC-D1.0 (.75kW)	45-0711	EHH 1-1/2-1SC-D1.0 (.75kW)	45-1911
2	EHK 1-1/2-2SC-D1.5 (1.1kW)	45-0722	EHH 1-1/2-2SC-D1.5 (1.1kW)	45-1922
3	EHK 1-1/2-3SC-D2.0 (1.5kW)	45-0733	EHH 1-1/2-3SC-D2.0 (1.5kW)	45-1933
4	EHK 1-1/2-4SC-D3.0 (2.2kW)	45-0744	EHH 1-1/2-4SC-D3.0 (2.2kW)	45-1944
5	EHK 1-1/2-5SC-H1.5 (1.1kW)	45-0759	EHH 1-1/2-5SC-D1.5 (1.1kW)	45-1959
6	EHK 1-1/2-5SC-D5.0 (3.7kW)	45-0755	EHP 1-1/2-5SC-D5.0 (3.7kW)	45-1955

**See Page 4
for additional specifications.**



SERIES 'EH' | VERTICAL PUMPS

2900 MacArthur Blvd. Northbrook, IL. USA 60062 www.serfilco.com (800) 323 - 5431

PUMP		
MATERIAL	MODEL	PRICE CODE NO.
CPVC	EH 1½	45-01
CPVC-18"	EHLX 1½	45-09
POLYPROPYLENE*	EHP 1½	45-06
POLYPRO-18"	EHLX 1½	45-13
PVDF	EHK 1½	45-07
PVDF-18"	EHLX 1½	45-14
ECTFE-T	EHH 1½	45-19

IMPELLER		
FLOW CURVE NO.	ADD TO...	
	MODEL	PRICE CODE NO.
1	-1 SC	1
2	-2 SC	2
3	-3 SC	3
4	-4 SC	4
5	-5 SC	5
6	-5 SC	5

MOTOR (NEMA) ¹							
VOLTAGE	STD. HP (kW)	ADD TO...		DIMENSIONS ²			
		MODEL NO.	PRICE CODE NO.	A		B	
				in	mm	in	mm
208-230/460/3/60, 3450 RPM or 190/380-415/3/50, 2850 RPM	1.0 (.75)	-D 1.0	1	7-1/4	184	12-1/2	317
	1.5 (1.1)	-D 1.5	2	7-1/4	184	12-1/2	317
	2.0 (1.5)	-D 2.0	3	7-1/4	184	12-3/16	310
	3.0 (2.2)	-D 3.0	4	9-9/16	243	14-7/8	378
	5.0 (3.7)	-D 5.0	5	9-9/16	243	14-7/8	378
	7.5 (5.5)	-D 7.5	6	9-9/16	243	14-7/8	378
115/208-230/1/60, 3450 RPM or 190-230/1/50, 2850 RPM	1.5 (1.1)	-C 1.5	7	7-1/4	184	13-1/2	343
115/208-230/1/60, 1725 RPM or 190-230/1/150, 1450 RPM	1.5 (1.1)	-G 1.5	8	7-1/4	184	11-1/2	292
208-230/460/3/60, 1725 RPM or 190/380-415/3/50, 1450 RPM	1.5 (1.1)	-H 1.5	9	7-1/4	184	12-3/16	310

PUMP + MOTOR SHIPPING WEIGHTS	
Lbs.	kg.
66	30
70	32
75	34
95	43
97	44
105	48
73	33
73	33
73	33

¹ To order pump without motor, use **0** for motor Price Code No.

* Polypropylene is glass filled.

² Motor dimensions for references only.

OPTIONAL	ADD SUFFIX TO MODEL	ADD TO PRICE CODE NO.
Viton "O"-ring installed in CPVC, Halar® pumps	V	V
EPDM "O"-rings in PP or PVDF pumps	L	L
PVDF impeller & shaft sleeve for CPVC pump (installed). For continuous operation over 180°F	K	K
Titanium option - shaft and fasteners	T	T
Through hole in standard mounting plate 2" diameter	MPH	H
Discharge pipe assembly, 1-1/2" NPT, for 12" or 18" pump For 18" Discharge pipe assembly - add X to PCN	- CPVC DPA - PVDF DPAK - Polypropylene DPAP - SS (For ECTFE-T) DPAS	45-0161 45-0161 K 45-0161 P 45-0161S
Suction strainer w/ close nipple, 2" NPT	- Polyethylene / CPVC ST - Polyethylene / PP - Halar / PVDF - Halar/SS	45-0162 45-0162 PP 45-0162 HK 45-0162HS
Suction extension, 24" x 2" NPT	- CPVC SX - PVDF S XK - Polypropylene SXP	45-0163 45-0163 K 45-0163 P

Registered trademarks:

Halar - Austmont, Viton - DuPont Dow Elastomers