

GUSHER[®]

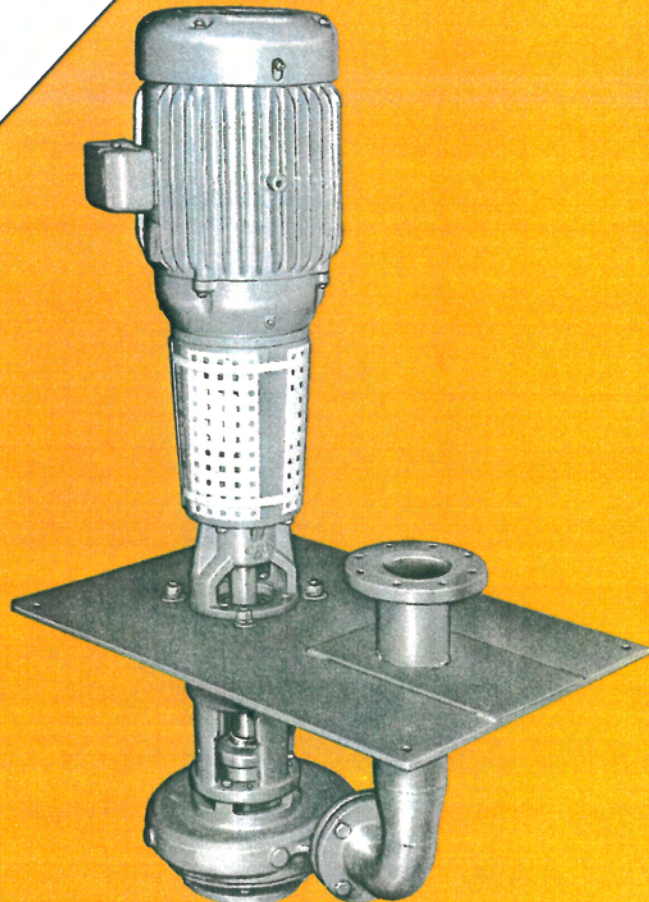


7550 SERIES VERTICAL END SUCTION CENTRIFUGAL PUMPS

WITH EXTERNAL IMPELLER ADJUSTMENT

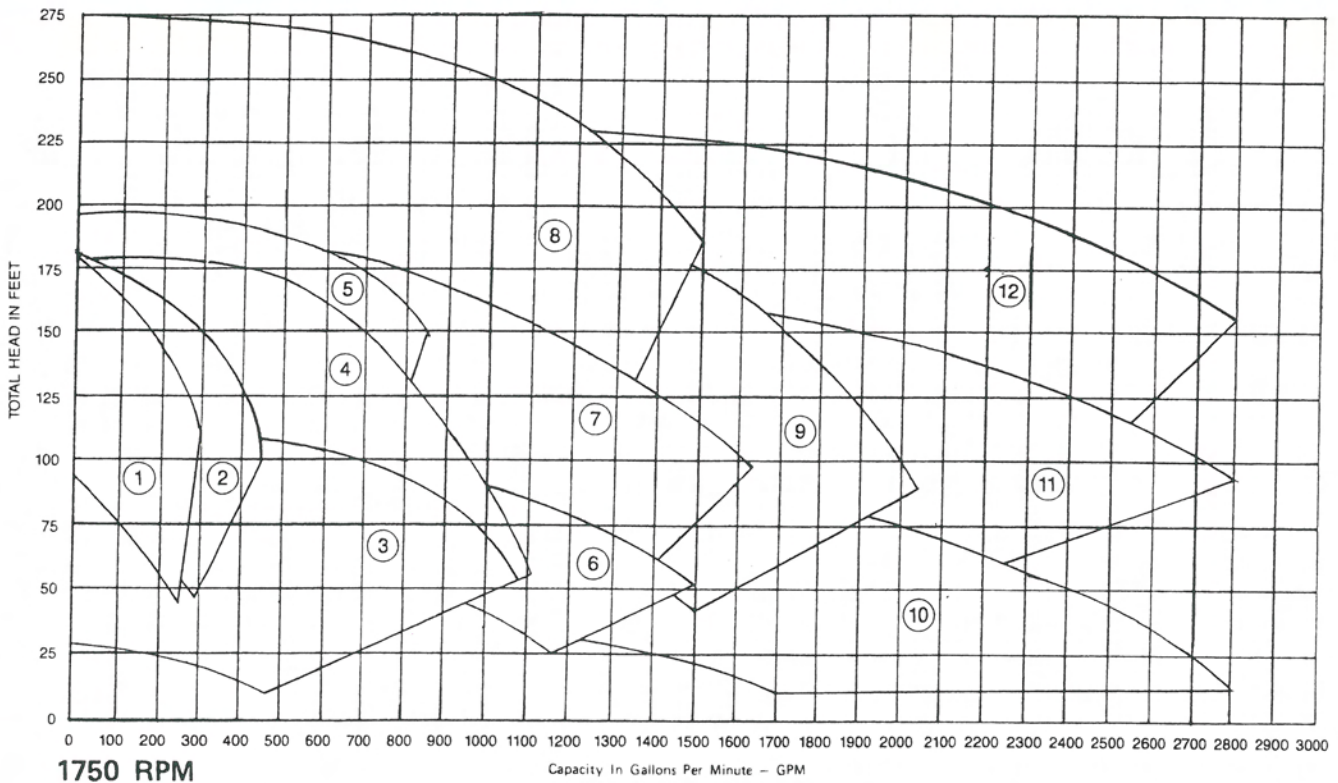
AVAILABLE OPTIONS:

- Chairmount Style ("CHM") & Barrelmount Style ("CDM")
- Jacketed Ball Bearing Housing for High Temperature Applications
- Discharge Pipe Extending through Mounting Plate, Couplings, OSHA Approved Coupling Guards, and Electric Motors.
- Extended Lengths

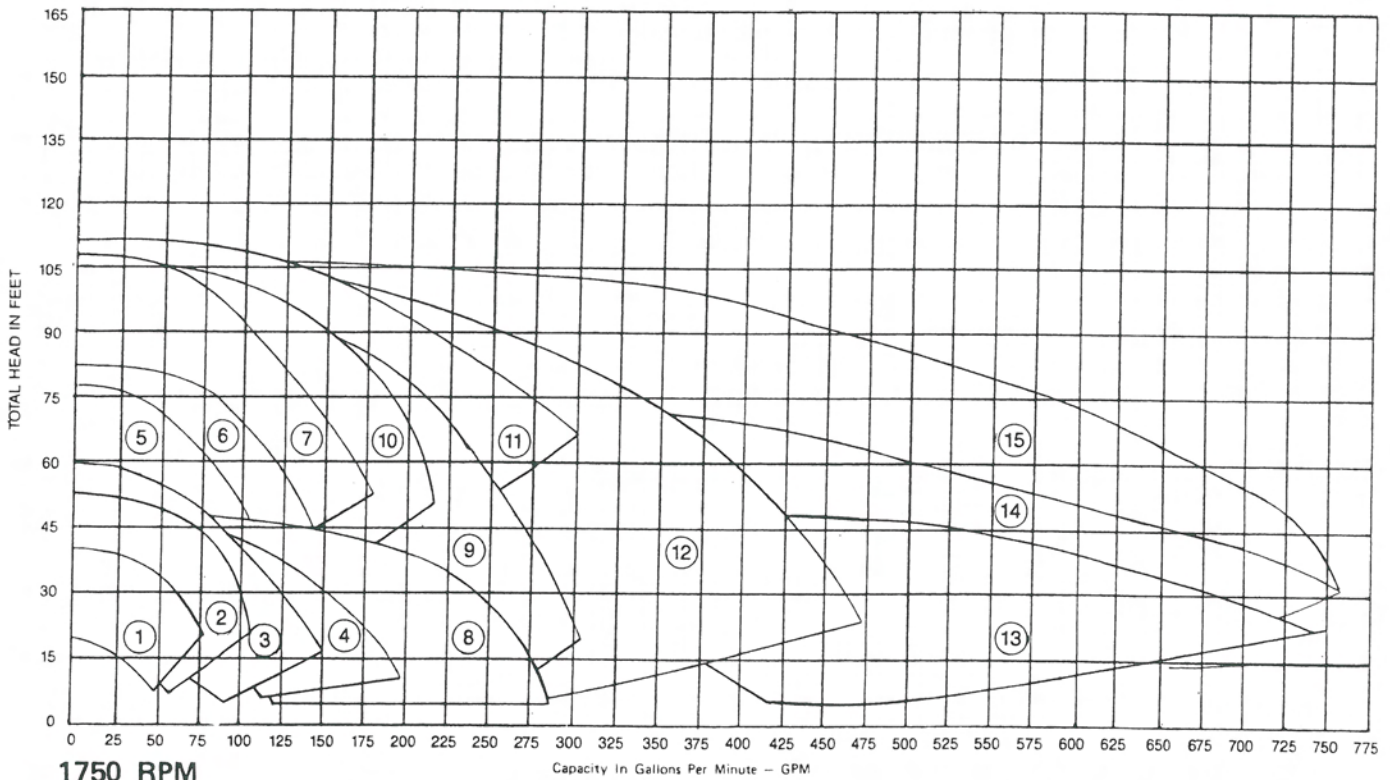


CAPACITY AND PERFORMANCE

CAPACITY AND PERFORMANCE SELECTION CHARTS



- | | | | |
|-----------------------|----------------------|----------------------|-----------------------|
| 1. CL - 1½ x 3 - 13SE | 4. 4 x 5 - 13 SE | 7. CL - 4 x 6 - 13SE | 10. 6 x 8 - 11SE |
| 2. CL - 2 x 3 - 13SE | 5. CL - 3 x 4 - 13SE | 8. CL - 5 x 6 - 16E | 11. CL - 6 x 8 - 13SE |
| 3. 4 x 5 - 11SE | 6. CL - 4 x 6 - 10SE | 9. 6 x 6 - 14E | 12. CL - 6 x 8 - 15SE |

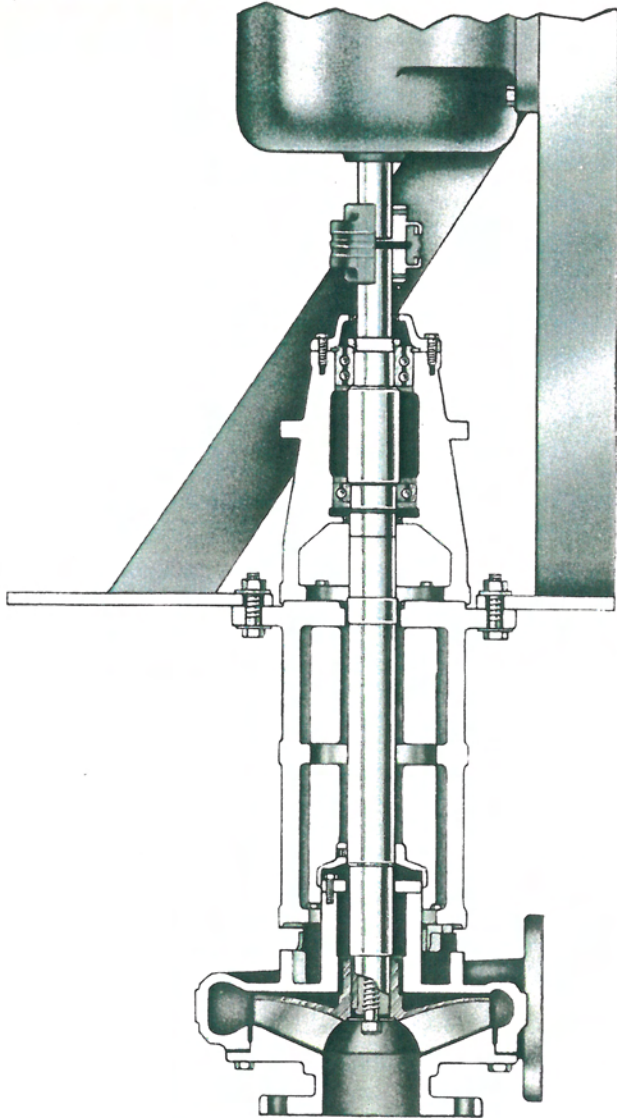


- | | | | | |
|------------------------|------------------------|-------------------------|-----------------------|----------------------|
| 1. CL - 1 x 1.50 x 6SE | 4. 2 x 2.50 x 7SE | 7. CL - 1.50 x 3 x 10SE | 10. 1.50 x 2 x 10SE | 13. 4 x 5 x 7SE |
| 2. 1.25 x 1.50 x 7SE | 5. CL - 1 x 1.50 x 8SE | 8. 2.50 x 3 x 7SE | 11. CL - 2 x 3 x 10SE | 14. CL - 3 x 4 x 8SE |
| 3. 1.50 x 2 x 7SE | 6. 1.25 x 1.50 x 9SE | 9. 2 x 2.50 x 10SE | 12. 2.50 x 3 x 10SE | 15. 3 x 4 x 10SE |

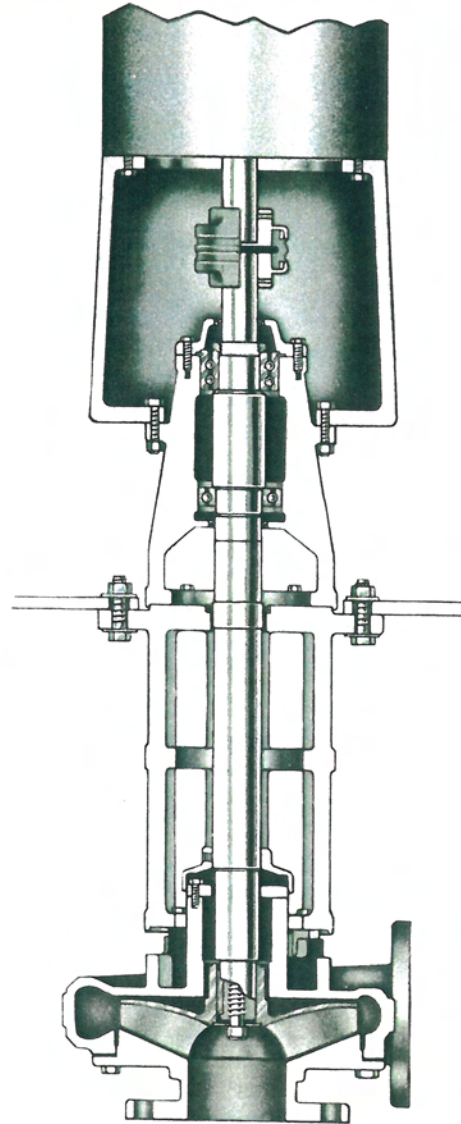
FOR INDIVIDUAL PUMP PERFORMANCE CURVES SEE PAGES 33-59

CONSTRUCTION

CHM Style



CDM Style



Proven Design

The Gusher 7500 Series has been designed to give heavy duty pumping service in a wide range of industrial applications. Each phase of its production has been carefully controlled to insure long life and minimum maintenance.

Handles Wide Range of Application

- Spray Booths
- Phosphate Systems
- Filtration Systems
- Paint Systems
- Industrial Spray Washers
- Coolant Systems

Capacities

Sizes in the 7500 Series range from 1" to 8" discharge with heads up to 210 feet @ 1750 RPM. Capacities up to 2500 GPM. (3600 RPM Pumps are available—selection through distributor or factory).

Features

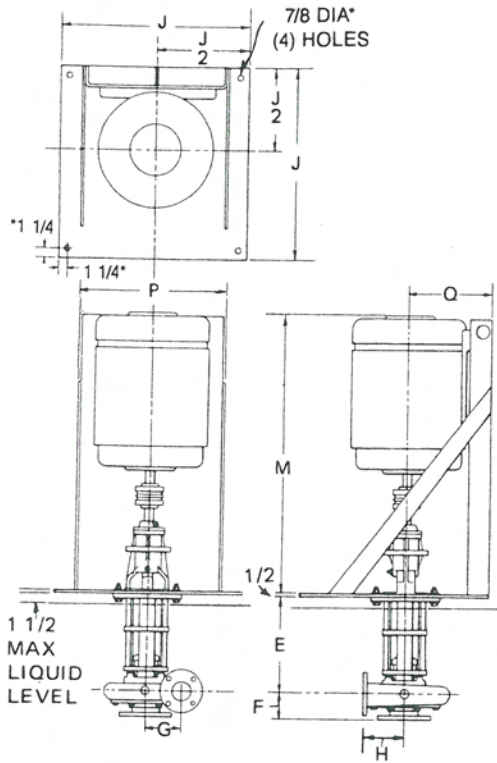
- **Bearings** — oversize heavy duty type supplied with grease fittings and located above base plate out of corrosive area.
- **Shaft** — extra heavy, made of high strength steel.
- **Impeller** — proven design increases efficiency and performance. Enclosed or semi-enclosed are available. (see chart).
- **Motor Alignment** — exclusive motor mounting arrangement allows easy motor alignment in the field.

Materials of Construction

The Gusher 7500 Series is available with a selection of materials to meet every need. Pumps can be furnished with cast iron construction, stainless construction, stainless fitted construction, as well as bronze fitted construction.

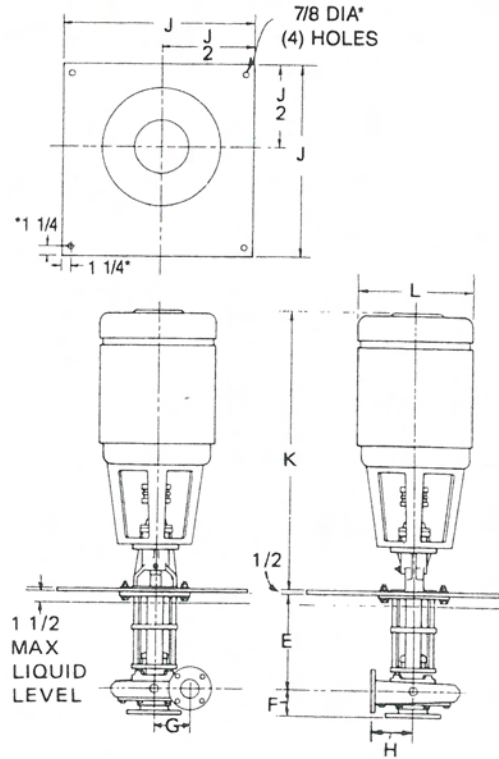
SIZE AND DIMENSIONS

CHM Style



CHAIR MOUNTED

CDM Style



BARREL MOUNTED

MODEL NO.	CHAIR MOUNTED CONFIGURATION				CONN. 125 ASE THD FLG	E*	F	G	H	J
	1	2	3	4						
CL 1 x 1.50 x 6SE	X	X	X	X	X	15.75	4	0	6.50	18
CL 1 x 1.50 x 8SE	X	X	X	X	X	15.81	4	0	6.50	18
1.25 x 1.50 x 7SE	X	X	X	X	X	16.18	3.37	3.75	4	18
1.25 x 1.50 x 9SE	X	X	X	X	X	15.93	3.56	4.71	5	18
1.50 x 2 x 7SE	X	X	X	X	X	16.18	3.43	4.12	5	18
1.50 x 2 x 10SE	X	X	X	X	X	16.18	3.56	5.50	6	18
CL 1.50 x 3 x 10SE	X	X	X	X	X	15.93	4	0	8.50	18
CL 1.50 x 3 x 13SE	X	X	X	X	X	15.37	4	0	10.50	24
2 x 2.50 x 7SE	X	X	X	X	X	16.12	3.68	4.12	5	18
2 x 2.50 x 10SE	X	X	X	X	X	16.18	4.06	5.50	6.25	18
CL 2 x 3 x 10SE	X	X	X	X	X	15.81	4	0	9.50	24
CL 2 x 3 x 13SE	X	X	X	X	X	16	4	0	11.50	24
2.50 x 3 x 7SE	X	X	X	X	X	16	3.93	4.25	5.50	24
2.50 x 3 x 10SE	X	X	X	X	X	16.06	4.06	5.75	6.75	24
CL 3 x 4 x 8SE	X	X	X	X	X	15.75	4	0	11	24
3 x 4 x 10SE	X	X	X	X	X	15.93	4.25	6	7	24
CL 3 x 4 x 13SE	X	X	X	X	X	15.93	4	0	12.50	24
4 x 5 x 7SE	X	X	X	X	X	16.37	4.87	4.75	7.50	24
4 x 5 x 11SE	X	X	X	X	X	16.25	4.75	7.12	8.50	24
4 x 5 x 13SE	X	X	X	X	X	16.37	4.50	8	8.50	30
CL 4 x 6 x 10SE	X	X	X	X	X	15.75	4	0	13.50	30
CL 4 x 6 x 13SE	X	X	X	X	X	15.87	4	0	13.50	30
**CL 5 x 6 x 16E	X	X	X	X	X	15.62	5.75	0	15.75	36
**6 x 6 x 14E	X	X	X	X	X	15.25	7.50	10.50	10.50	30
6 x 8 x 11SE	X	X	X	X	X	16.25	3	8.37	9	30
**6 x 8 11SE	X	X	X	X	X	16.25	3	8.37	9	30
CL**6 x 8 x 13SE	X	X	X	X	X	16.37	6	0	16	36
CL**6 x 8 x 15SE	X	X	X	X	X	16.12	6	0	18	36

*Short Model 6 inches shorter. Other lengths available.

**Dimensions are for 53HDP.F.

*Dimensions are for 52 power frame only.

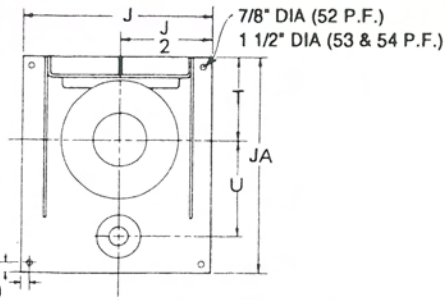
Dimensions which vary with Motor Frame Size +

BARREL MOUNTED	APPROX. K	L	CHAIR MOUNTED	M	P	Q
143TC	30	7 ³ / ₈	143T	30	15	6 ¹ / ₈
145TC	30	7 ³ / ₈	145T	30	15	6 ¹ / ₈
182TC	31 ⁷ / ₈	9 ¹ / ₂	182T	31 ⁷ / ₈	15	7 ¹ / ₈
184TC	31 ⁷ / ₈	9 ¹ / ₂	184T	31 ⁷ / ₈	15	7 ¹ / ₈
213TC	35 ³ / ₄	10 ⁷ / ₈	213T	35 ³ / ₄	15	7 ¹ / ₈
215TC	35 ³ / ₄	10 ⁷ / ₈	215T	35 ³ / ₄	15	7 ¹ / ₈
254TC	41 ³ / ₄	12 ⁹ / ₁₆	254T	41 ³ / ₄	17	9
256TC	41 ³ / ₄	12 ⁹ / ₁₆	256T	41 ³ / ₄	17	9
284TC	44 ¹ / ₁₆	13 ³ / ₄	284T	44 ¹ / ₁₆	17 ¹ / ₄	9 ¹ / ₈
286TC	44 ¹ / ₁₆	13 ³ / ₄	286T	44 ¹ / ₁₆	17 ¹ / ₄	9 ¹ / ₈
324TC	46 ¹³ / ₁₆	15 ³ / ₄	324T	46 ¹³ / ₁₆	21 ¹ / ₄	10 ³ / ₈
326TC	46 ¹³ / ₁₆	15 ³ / ₄	326T	46 ¹³ / ₁₆	21 ¹ / ₄	10 ³ / ₈
364TC	49 ⁵ / ₁₆	18	364T	49 ⁵ / ₁₆	24	12 ³ / ₈
365TC	49 ⁵ / ₁₆	18	365T	49 ⁵ / ₁₆	24	12 ³ / ₈

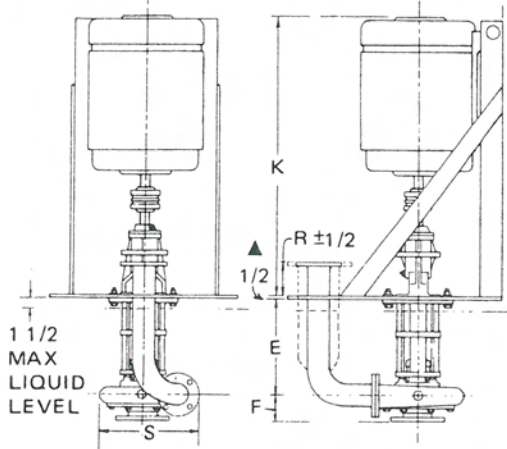
+ Not For 53 or 54.P Frame

SIZE AND DIMENSIONS

CHM Style

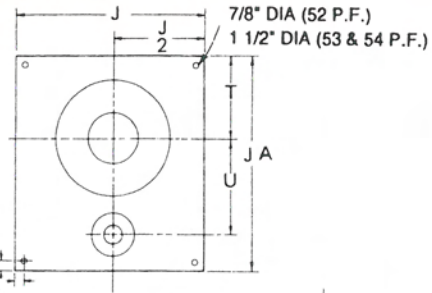


1/4" (52 P.F.)
1" (53 & 54 P.F.)

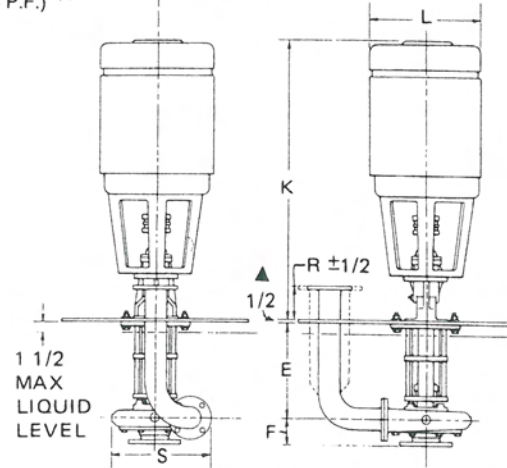


CHAIR MOUNTED
WITH DISCHARGE PIPE

CDM Style



1 1/4" (52 P.F.)
2" (53 & 54 P.F.)



BARREL MOUNTED
WITH DISCHARGE PIPE

*Short Model 6 inches shorter. Other lengths available.

MODEL WITH DISCHARGE PIPE	CHAIR MOUNTED CONFIGURATION				CONN. 125 NPT ASE FLG	MODEL WITH OVERSIZE DISCHARGE PIPE	E*	F	J	JA	R		S	T	U
	1	2	3	4							STD	OVERSIZE			
CL 1 x 1.50 x 6SE	X	X	X	X	X	CL 1.50 x 1.50 x 6SE	15.75	4	18	24	6	6	9	8.50	10.25
CL 1 x 1.50 x 8SE	X	X	X	X	X	CL 1.50 x 1.50 x 8SE	15.81	4	18	24	6	6	11.12	8.50	10.25
1.25 x 1.50 x 7SE	X	X	X	X	X	1.50 x 1.50 x 7SE	16.18	3.27	18	24	5.37	5.27	10	8.50	12.06
1.25 x 1.50 x 9SE	X	X	X	X	X	1.50 x 1.50 x 9SE	15.87	3.56	18	24	5.43	5.50	11.50	8.50	10.50
1.50 x 2 x 7SE	X	X	X	X	X	2 x 2 x 7SE	16.18	3.43	18	24	5.56	5.56	10.37	8.50	10.62
1.50 x 2 x 10SE	X	X	X	X	X	2 x 2 x 10SE	16.18	3.56	18	24	5.56	5.56	12.75	8.50	12
CL 1.50 x 3 x 10SE	X	X	X	X	X	CL 2 x 3 x 10SE	15.93	4	18	24	6	6	14	8.50	13.25
CL 1.50 x 3 x 13SE	X	X	X	X	X	CL 2 x 3 x 13SE	15.37	4	24	36	6	6	16.87	10.50	15.18
2 x 2.50 x 7SE	X	X	X	X	X	2.50 x 2.50 x 7SE	16.12	3.88	18	24	5.87	5.81	10.68	8.50	10.25
2 x 2.50 x 10SE	X	X	X	X	X	2.50 x 2.50 x 10SE	16.18	4.06	18	24	5.81	5.75	13.12	8.50	12.31
CL 2 x 3 x 10SE	X	X	X	X	X	CL 3 x 3 x 10SE	15.81	4	24	36	6	6	14	10.50	15
CL 2 x 3 x 13SE	X	X	X	X	X	CL 3 x 3 x 13SE	16	4	24	36	6	6	17.37	10.50	17
2.50 x 3 x 7SE	X	X	X	X	X	3 x 3 x 7SE	16	2.93	24	36	5.50	5.80	10.75	10.80	12.75
2.50 x 3 x 10SE	X	X	X	X	X	3 x 3 x 10SE	16.06	4.06	24	36	5.87	5.87	13	10.50	14.50
CL 3 x 4 x 8SE	X	X	X	X	X	CL 4 x 4 x 8SE	15.75	4	24	36	6	6	14	10.50	18.25
3 x 4 x 10SE	X	X	X	X	X	4 x 4 x 10SE	15.93	4.25	24	36	6	6	14.75	10.50	15.50
CL 3 x 4 x 13SE	X	X	X	X	X	CL 4 x 4 x 13SE	15.93	4	24	36	6	6	18.25	10.50	19.75
4 x 5 x 7SE	X	X	X	X	X	5 x 5 x 7SE	16.37	4.67	24	36	5.37	4.12	12	10.50	17.25
4 x 5 x 11SE	X	X	X	X	X	5 x 5 x 11SE	16.25	4.75	24	36	3	4.25	16	10.50	19
4 x 5 x 13SE	X	X	X	X	X	5 x 5 x 13SE	16.37	4.88	24	36	3	4.25	18.56	10.50	19.25
CL 4 x 8 x 10SE	X	X	X	X	X	CL 5 x 8 x 10SE	15.75	4	24	36	4	5	15.75	10.50	20.50
CL 4 x 8 x 13SE	X	X	X	X	X	CL 5 x 8 x 13SE	15.87	4	24	36	4	5	19	10.50	20.50
CL** 5 x 6 x 10E	X	X	X	X	X	CL 6 x 6 x 10E	15.62	5.75	32	48	6	6	22.25	14	24.25
** 6 x 6 x 14E	X	X	X	X	X	8 x 6 x 14E	15.25	7.50	30	42	6.81	8.50	23.87	14	22.62
8 x 8 x 11SE	X	X	X	X	X	8 x 8 x 11SE	16.25	3	24	36	6.31	7.50	20.62	10.50	20.37
** 6 x 8 x 11SE	X	X	X	X	X	8 x 8 x 11SE	16.25	3	30	42	5.81	7.50	20.62	14	20.37
CL** 6 x 8 x 13SE	X	X	X	X	X	CL 8 x 8 x 13SE	16.37	6	32	48	5.25	6.87	22	14	25.50
CL** 6 x 8 x 15SE	X	X	X	X	X	CL 8 x 8 x 15SE	16.12	6	32	48	6	6	25	14	27.50

** Dimensions are for 53 Power Frame

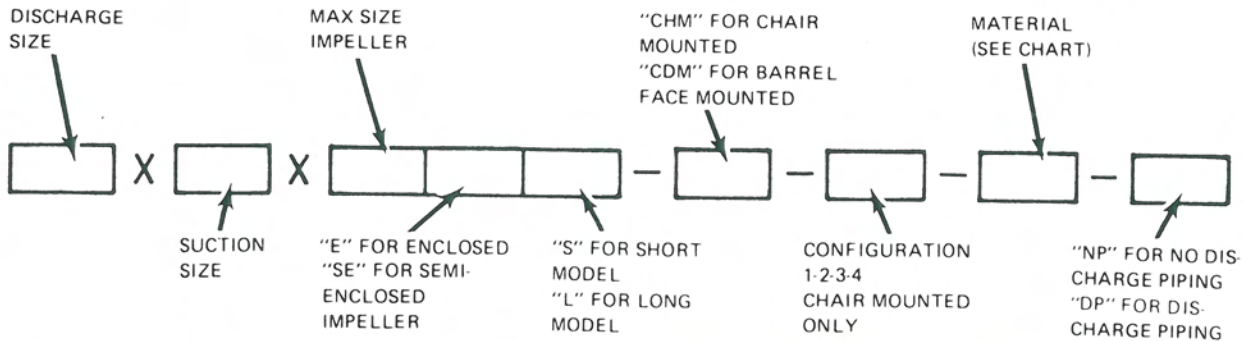
▲ This dimension is for 1" for 53 power frame.

* Dimensions are for 52 power frame only.

For dimensions which vary with motor frame size see chart on preceding page.

ORDERING INFORMATION

Order the Gusher 7500 Series Pump to meet your needs by model number. The model number should be specified as follows:



EXAMPLE: For ordering a Chair Mounted Pump with a 1¼" discharge and 1½" diameter suction with a semi-enclosed impeller of 7" maximum. Iron construction, discharge piping and motor mounted in #1 position. The model number for ordering description would be: 1¼ x 1½ x 7SEL-CHM-1ADP

Materials of Construction

Material Designation	Type	Description
A	All Iron	cast iron construction
B	Stainless Steel	316 stainless steel wetted parts
C	Stainless Steel Fitted	316 stainless steel shaft and impeller
D	Bronze Fitted	bronze impeller

Motor Specifications

Please furnish the following information on all orders: Horsepower, Frame Size, Voltage, RPM, Hertz and Phase. If a special motor is required specify: i e Delco GM-7EQ.

The **Chairmounted Pump** is designed to accept a Nema Frame Foot Mounted Motor. The **Barrel Mounted Pump** will accept a Nema Frame "C" Face Motor.

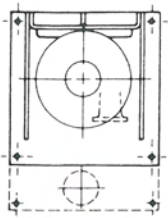
Note: If motor is ordered it will be factory mounted unless otherwise specified.

We Can Help

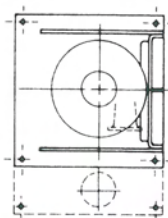
Our sales department will help you select the proper pump for your application. Call or write. Performance Curves are available on all pumps.

Configurations

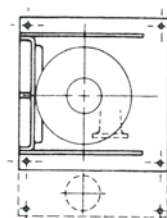
Most Chair Mounted Pump models are available in four Configurations as follows:



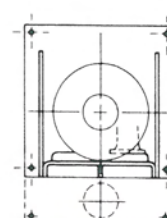
1



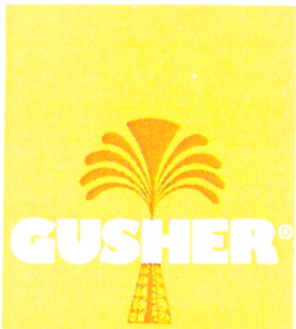
2



3



4



PUMPS

SUBSIDIARY OF THE RUTHMAN MACHINERY CO.

Printed in USA

7550 VHD Standard

Power Frame Repair Kits in Stainless and Iron

52VHDPFK-CRS REPAIR KIT FOR 52HD PF

14079-CI 1.000
BEARING RETAINER 52VHD 7600
41211-O 1.000
BALL BEARING OPEN
41308-DR-O 1.000
BALL BEARING 5308CG OPEN
68100 1.000
BALL BRG LOCK NUT (BH-08)
68137 1.000
IMPELLER RET.NUT 3/4-10
68510 1.000
WASHER FOR NEW STYLE SHAFTS
71099 1.000
5/16 X 5/16 X 2" LONG KEY
83000 1.000
OIL SEAL BRG. HOUSING 51000
83006 1.000
LIP SEAL 52HD (51079) E733D

52VHDPFK-SS REPAIR KIT FOR 52HD PF

14079-CI 1.000
BEARING RETAINER 52VHD 7600
41211-O 1.000
BALL BEARING OPEN
41308-DR-O 1.000
BALL BEARING 5308CG OPEN
68100 1.000
BALL BRG LOCK NUT (BH-08)
68137-SS 1.000
IMP.RET NUT 3/4-10
68510-SS 1.000
WASHER /100099,100100
71099-SS 1.000
5/16 X 5/16 X 2" LONG KEY
83000 1.000
OIL SEAL BRG. HOUSING 51000
83006 1.000
LIP SEAL 52HD (51079) E733D

**Does not apply to the nonadjustable power frames
or any non standard versions.**

